

GW-SH Spring Removable Hinge

Features

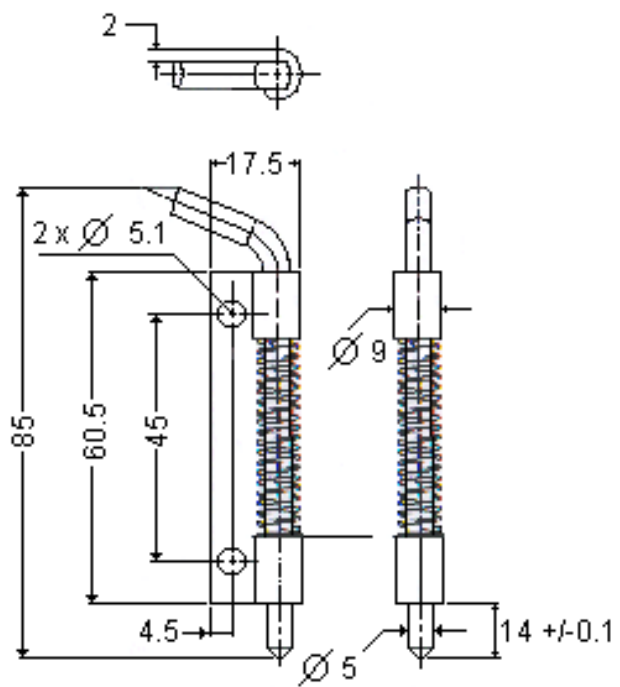
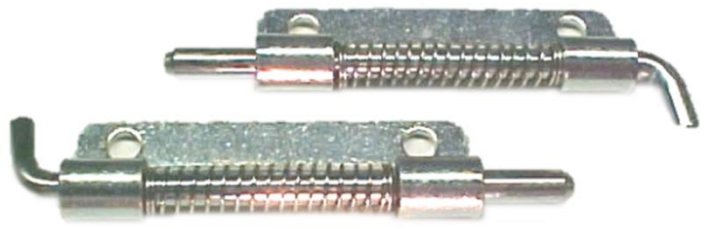
- Available in left and right

Material

- CRC steel, zinc plated

Notes

- M5 fixing screw (not included)



Part No.	Type
GW-SHL-60	Left
GW-SHR-60	Right